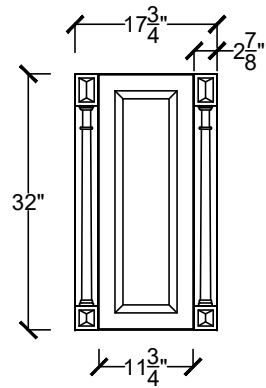
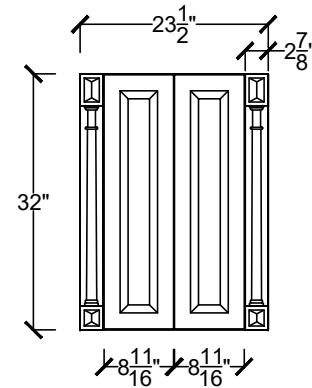


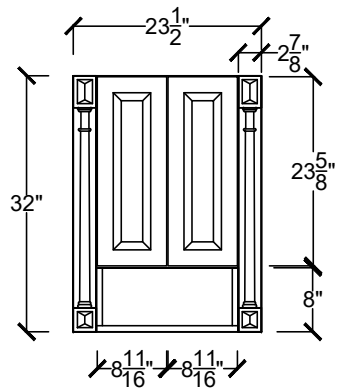
C.O.T.



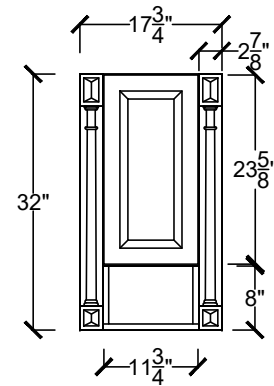
LEXCOT-FD 18-\_\_\_\_\_-\_\_\_\_\_-\_\_\_\_\_



LEXCOT-FD 24-\_\_\_\_\_-\_\_\_\_\_-\_\_\_\_\_



LEXCOT-OS 24-\_\_\_\_\_-\_\_\_\_\_-\_\_\_\_\_



LEXCOT-OS 18-\_\_\_\_\_-\_\_\_\_\_-\_\_\_\_\_